



# PMA Evolution

The New PMA Standard  
Economic. Efficient.  
Effective.

Simplifying Progress

**SARTORIUS**

# Efficient and Easy Paint Mixing

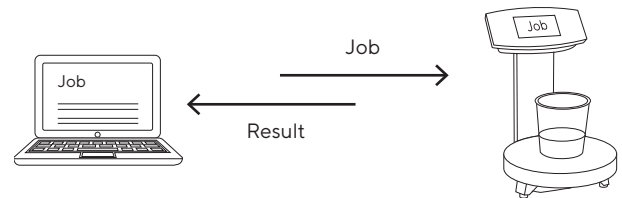
Increase your paint mixing efficiency while reducing your total cost of ownership: Benefit from the precise, reliable and fast results of the new PMA Evolution. Its superior readability – both from an angle and from a distance – make it a practical and time-saving tool to work with.

With a variety of accessories you can enhance the functionality and usability of this high-quality Made-in-Germany product.

- Enhanced Safety Mechanisms
- Compliance with International Regulations
- Exclusive PMA Management Software

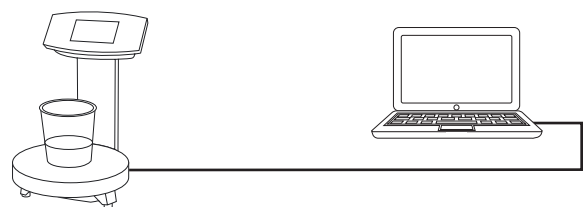
## Internal Mixing Module

Integrated mixing module for PC-independent formulation processing



## Integrated Applications

- Recalculation functionality in case of over-pouring a component
- Factor calculation to adapt a recipe to any desired can size
- The scale can be calibrated externally with 1 kg, 2 kg or 5 kg
- The resolution of 0.1 g can be manually switched to 0.05 g for a range of up to 999.95 g. The fine range can be used up to the maximum capacity through taring



## Amazingly Fast Installation

- Unique one-cable solution for power and data via USB cable
- USB driver is Microsoft® certified for “plug & play” installation



SARTORIUS

F

>O/T<

↕

02

Max 1500 g

d = 0.1 g

COMP2

⏻

C

^

v

OK

Ex

PMA EVOLUTION

3:1

4:1

5:1

1:1

1:0

1:0

## Clean Work Environment

- Plane, solvent-resistant glass display and stainless steel weighing pan for easy cleaning



- Spillage-protected interface at the back of the head



- In-use covers for display, column and weighing pan to prevent stains



## New High-Contrast Display

- Wide viewing angle and perfect readability, even from a distance



- Sensor touch with visual feedback





- Bargraph with zoom functionality as dosing assistance | capacity indicator



## Extended Features

### Prevention of Unauthorized Usage

- Instant lock function: activated manually by pressing the lock symbol
- Communication lock function: automatic display lock if there is no ongoing communication between scale and PC



- Theft protection with fixation point on the back



### Compliance with International Regulations

- Accordance with legal regulations
- Certified as explosion proof



### Exclusive PMA Management Software

- Scale settings easily adjustable with intuitive menu
- Intro text for individualized scale messages (e.g. branding)
- Basic counting application, e.g. for inventory control



# Functional Accessories

Keep your PMA Evolution working like new for the longest time: with covers to protect your scale from paint stains and weights to recalibrate it. See what other useful accessories might be convenient for you.

## In-Use covers

In-use cover for display (set of 10)	YDC03PMA10
In-use cover for column (set of 10)	YDC03PMA-CO10
In-use cover for weighing pan (set of 10)	YDC03PMA-WP10



## Cables

Link cable to converter, length 10 m (32.8 ft.)	YCC01-0052M10
Link cable to converter, length 20 m (65.6 ft.)	YCC01-0052M20
Link cable to converter, length 30 m (98.4 ft.)	YCC01-0052M30
Grounding cable, 2 m (6.5 ft.)	YCC01-X046M2
USB cable, length 3 m (9.8 ft.)	YCC01-0040M3



## Power supply

USB power plug 5.2 VDC   1400 mA	YEPS01-USB
AC-adaptor set (US, EU, UK)	YEPS01-PS1
AC- adaptor set (AU, ZA, BR, AR)	YEPS01-PS6
AC- adaptor set (IN, KR, CN)	YEPS01-PS7



## Calibration weights

External calibration weight 1 kg (class F2)	YCW614-AC-00
External calibration weight 1 kg (class F2) with DAKKS certificate	YCW614-AC-02
External calibration weight 2 kg (class F2)	YCW624-AC-00
External calibration weight 2 kg (class F2) with DAKKS certificate	YCW624-AC-02
External calibration weight 5 kg (class F2)	YCW654-AC-00
External calibration weight 5 kg (class F2) with DAKKS certificate	YCW654-AC-02



# Technical Data

## Metrological data

Capacity	7500 g
Readability	0.1 g
Tare range (subtractive)	-7500 g
Allowable operating temperature	5 ... 40 °C (41 ... 104°F)
External calibration weight	1, 2, 5 kg (class F2 or better)

## Dimensions | Weight

Weighing pan (Ø)	233 mm
Housing (W × D × H)	233 × 321 × 341 mm
Net weight	approx. 2.4 kg

## Power supply

Power supply	via USB 2.0 or higher or power plug YEPS01-USB
Input voltage   power consumption	5 VDC   2 W
Ex-link converter (Ex zone 1 scale only)	Energy limiting unit included

## Approval Ex zone 1 | Class I, Div. 1

IECEX	Ex ib IIB T4 Gb
ATEX	II 2G Ex ib IIB T4 Gb
FM (USA)	IS CL I, DIV 1, GP C, D T4; CL I, Zone 1, AEx ib IIB T4
FM (CAN)	Ex ia CL I, DIV 1, GP C, D T4; Zone 1, Ex ib IIB T4
PCEC (CN)	EX ib IIB T4 Gb

## Approval Ex zone 2

IECEX	Ex ic nA IIB T4 Gc
ATEX	II 3G Ex ic nA IIB T4 Gc
PCEC (CN)	Ex ic nA IIB T4 GC
DEKRA (JP)	Ex ic nA IIB T4 GC

## IP protection

Dust and water protection rating in accordance to EN 60529   IEC 60529:	IP40
---	------

## Communication

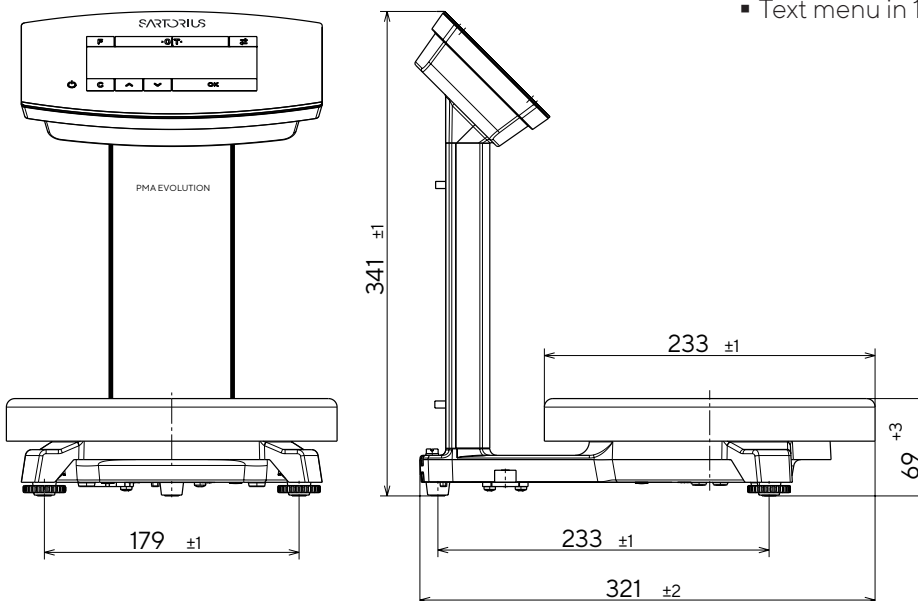
Data output	USB   Type B
Protocol	Sartorius SBI   XBPI
Format	7-bit ASCII, 1 Start-bit, 1 or 2 Stop-Bits
Parity	Even, odd, no parity
Transmission rates	1200 to 57,600 Bit/s
Handshake mode	Software, Hardware or None

## Internal application

- Integrated mixing module for one job
- Recalculation (correction of over-pours)
- Calculation by factor (0.25 – 5.0)
- Stand-alone recipe processing (absolute, additive)
- Dual range 0.05 g (up to 999.95 g)
- Hardware test and communication symbol

## User interface

- High contrast display 14 segment
- Bargraph as dosing assistance or capacity indicator
- Text menu in 12 languages




**Germany**

Sartorius Lab Instruments GmbH & Co. KG  
Otto-Brenner-Strasse 20  
37079 Goettingen  
Phone +49 551 308 0

**USA**

Sartorius Corporation  
565 Johnson Avenue  
Bohemia, NY 11716  
Phone +1 631 254 4249  
Toll-free +1 800 635 2906

 For further contacts, visit  
[www.sartorius.com](http://www.sartorius.com)